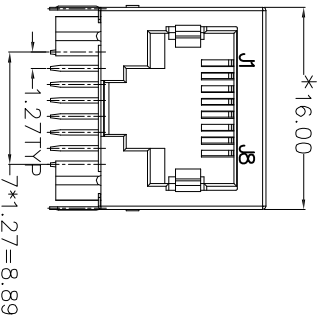
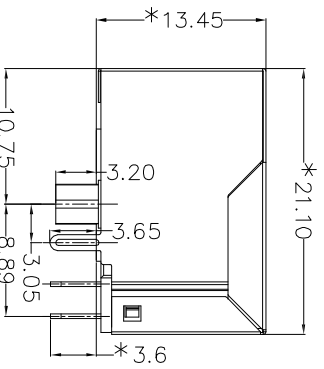


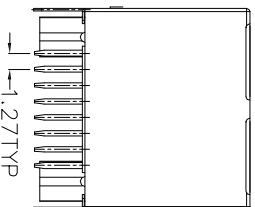
LEFT SIDE VIEW



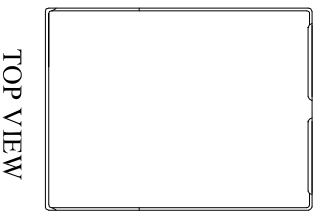
FRONT VIEW



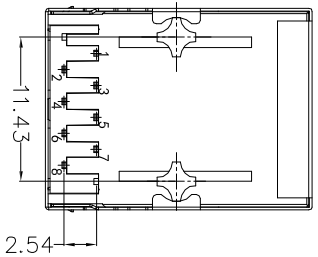
RIGHT SIDE VIEW



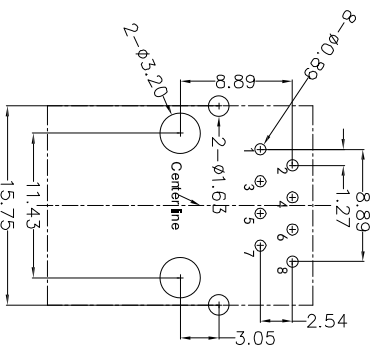
BACK VIEW



TOP VIEW



BOTTOM VIEW



RECOMMENDED PCB LAYOUT
VIEW FROM COMPONENT SIDE

MATERIAL:

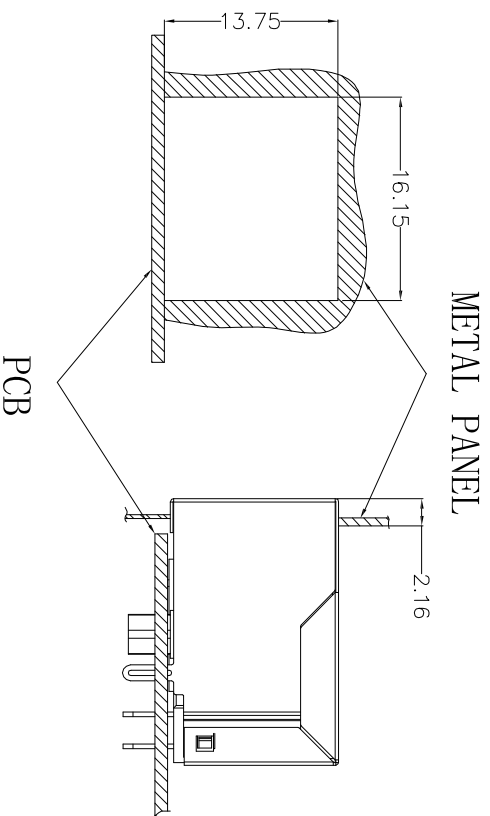
HOUSING: PBT, UL94V-0, BLACK.
 TERMINALS BRACKET: PBT, UL94V-0, BLACK
 SHIELD: C2680, T=0.20MM, NICKEL PLATING ON ALL AREA
 TERMINAL: PHOSPHOR BRONZE C5210, T=0.35MM,
 6U" GOLD PLATING ON CONTACT AREA

MECHANICAL:

DURABILITY: 750 CYCLES MIN.
 MATING FORCE: 23N MAX
 OPERATING TEMPERATURE: -40°C~+85°C.
 STORAGE TEMPERATURE: -40°C~+85°C.
 ALL CRITICAL DIMENSIONS WITH "*"

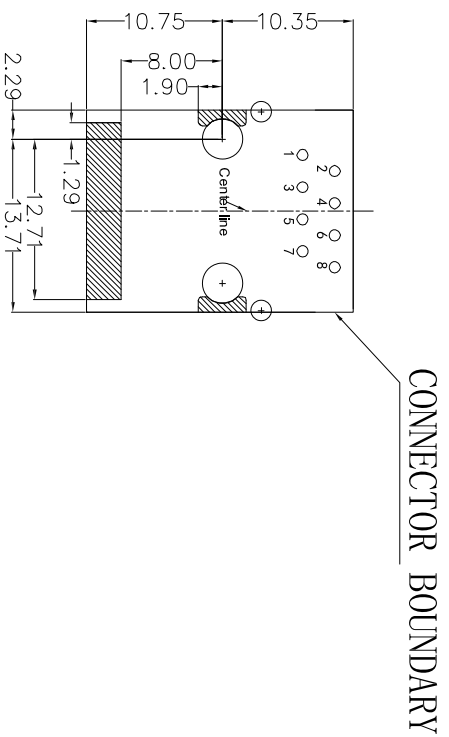
| | | | | | | | | | | |
|-----------|------------|---|-----------------|------|----|-------|------|------|----|------|
| APPROVED: | DATE: | 深圳市灿科盟实业有限公司 CHANKLEMENT INDUSTRYCO., LTD | | | | | | | | |
| CHECKED: | DATE: | | | | | | | | | |
| DRAWN: | DATE: | TITLE: 百米网口 RJ45-10P/8C TAB-DOWN H=21.1 无灯 无弹 带滤波器 十字脚 | | | | | | | | |
| L. YAN | 2020-08-10 | PART. NO. | R-RJ45R08P-D007 | UNIT | mm | SCALE | Free | REV. | A0 | KYD0 |
| | | FILE NO. | Ckmtw-RJ45-0267 | | | | | | | |

RECOMMENDED PANEL CUTOUT (REFERENCE ONLY) :




UNIT : MM / INCH
 TOLERANCES : ± 0.10 / 0.004
 REFERENCE ONLY

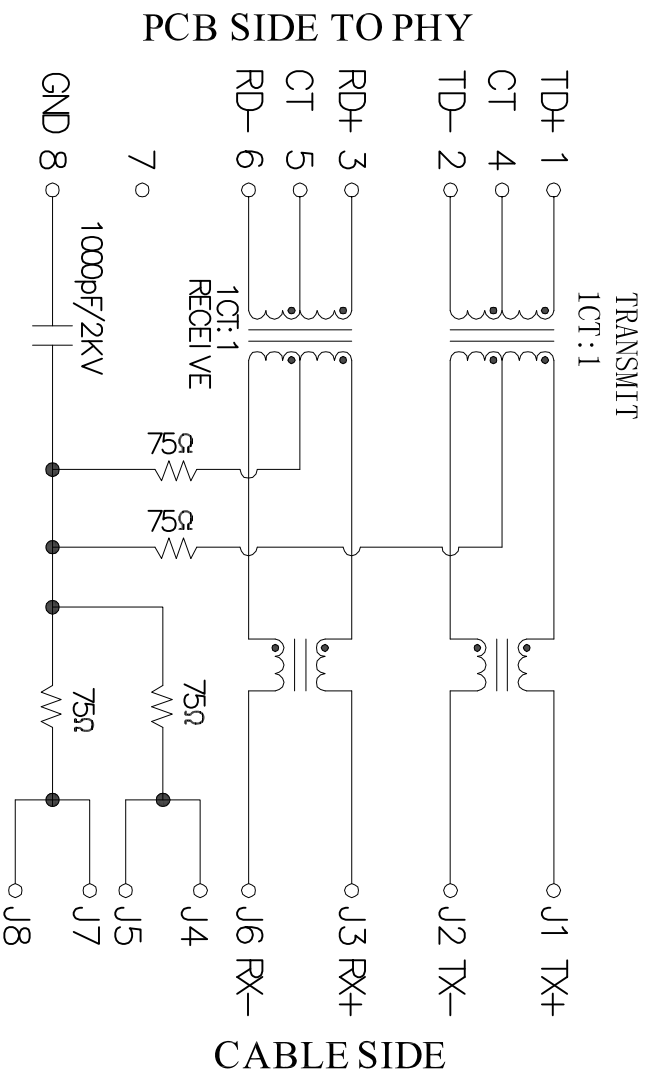
KEEP-OUT AREA (COMPONENT SIDE VIEW) :



PLUG-IN SIDE

UNIT : MM / INCH
 TOLERANCES : ± 0.10 / 0.004

| | | | | | |
|-----------|------------|--|-----------------|-------|------|
| APPROVED: | DATE: |  深圳市灿科盟实业有限公司 CHANKLEMENT INDUSTRYCO., LTD | | | |
| CHECKED: | DATE: | TITLE: 百米网口 RJ45-10P/8C TAB-DOWN H=21.1 无灯 无弹 带滤波器 十字脚 | | | |
| DRAWN: | DATE: | PART. NO. | SCALE | REV. | REV. |
| L. YAN | 2020-08-10 | R-RJ45R08P-D007 | Free | A0 | KYD0 |
| | | UNIT | mm | SCALE | Free |
| | | FILE NO. | Ckmtw-RJ45-0267 | REV. | A0 |

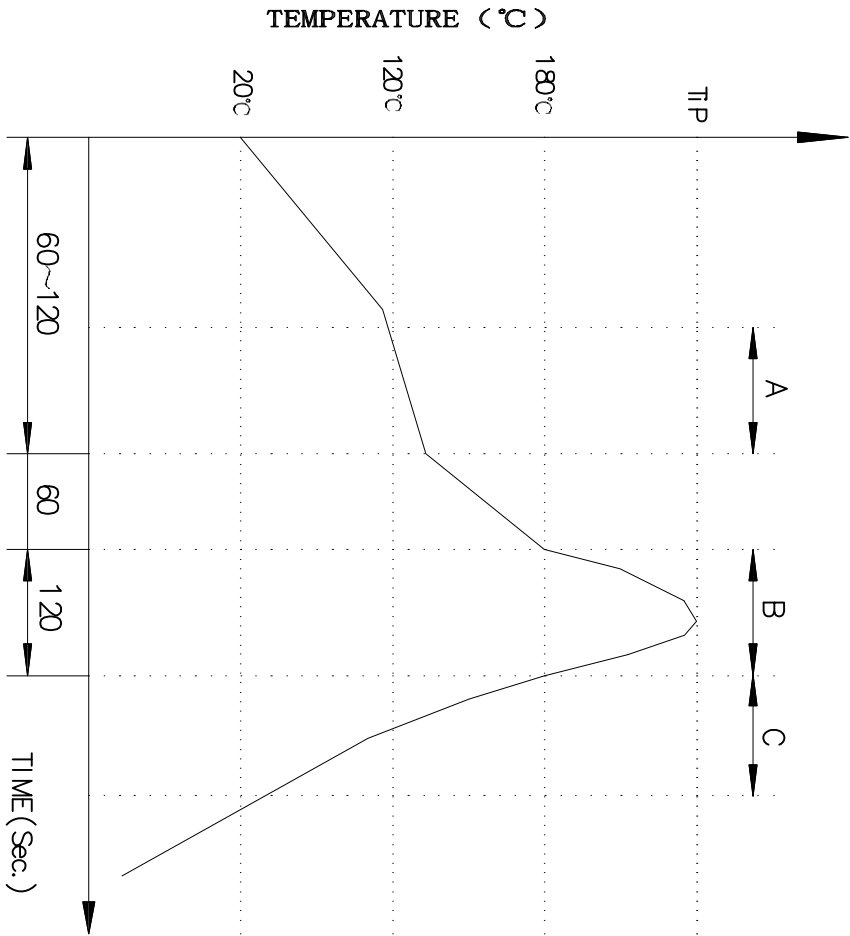


Electrical:

1. Turn ratio: 1~2: J1~J2=1 CT:1 CT(±2%).
3~6: J3~J6=1 CT:1 CT(±2%).
2. OCL: 350uH Min at 100KHz 100mV 8mA DC.
3. Insertion Loss: -1.0 dB Max 1~100 MHz.
4. Return loss: -20dB Min 1~10MHz;
-16dB Min 10~30MHz;
-12dB Min 30~60MHz;
-10dB Min 60~80MHz.
5. Cross talk: -40dB Min 1~30MHz;
-35dB Min 30~60MHz;
-30dB Min 60~100MHz.
6. CMR: -30dB Min 1~100MHz;
7. Hi-Pot: 1500V AC & 2250V DC
6S 1mA PRI TO SEC

| | | | | | | | | | | |
|-----------|------------|---|-----------------|------|----|-------|------|------|----|------|
| APPROVED: | DATE: | 深圳市灿科盟实业有限公司 CHANKLEMENT INDUSTRYCO., LTD | | | | | | | | |
| CHECKED: | DATE: | | | | | | | | | |
| DRAWN: | DATE: | TITLE: 百米网口 RJ45-10P/8C TAB-DOWN H=21.1 无灯 无弹 带滤波器 十字脚 | | | | | | | | |
| L. YAN | 2020-08-10 | PART. NO. | R-RJ45R08P-D007 | UNIT | mm | SCALE | Free | REV. | A0 | KYD0 |
| | | FILE NO. | Ckmtw-RJ45-0267 | | | | | | | |

PROFILE OF WAVE SOLDER



A. Preheating B. Soldering C. Gradual Cooling
 Tip temperature: $260 \pm 5^{\circ}\text{C}$.
 Tip temperature time: 5 Sec Max.
 Tip melting point of Sn96.5/Ag3.5: 217°C .

Remarks: after wave soldering, the plastic positioning columns of the product which under the PCB will be slightly melted, but it won't affect its function.

| | | |
|-----------|------------|---|
| APPROVED: | DATE: | C 深圳市灿科盟实业有限公司 CHANKLEMENT INDUSTRY CO., LTD |
| CHECKED: | DATE: | |
| DRAWN: | DATE: | TITLE: 百米网口 RJ45-10P/8C TAB-DOWN H=21.1 无灯 无弹 带滤波器 十字脚 PART. NO. R-RJ45R08P-D007 UNIT mm SCALE Free FILE NO. Ckmtw-RJ45-0267 REV. A0 KYD0 |
| L. YAN | 2020-08-10 | |