

**Electrical:**

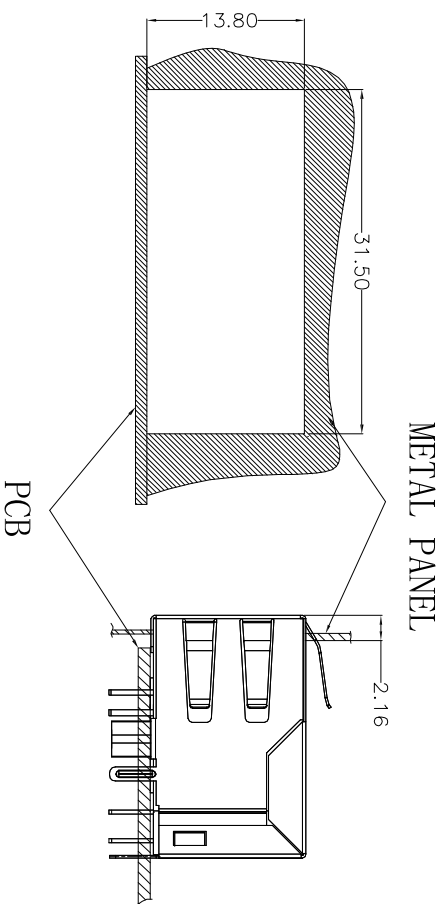
1. Turn ratio:1~2:J1~J2=1 CT:1 CT (±2%), 3~6:J3~J6=1 CT:1 CT (±2%).
2. OCL:350uH Min at 100KHz 100mV 8mA DC.
3. Insertion Loss: -1.0 dB Max 1~100MHZ.
4. Return loss: -20dB Min 1~10MHZ;  
-16dB Min 10~30MHZ  
-12dB Min 30~60MHZ  
-10dB Min 60~80MHZ
5. Cross talk: -40dB Min 1~30MHZ;  
-35dB Min 30~60MHZ;  
-30dB Min 60~100MHZ;
6. CMR: -30dB Min 1~100MHZ;
7. Hi-Pot 1500V AC & 2250V DC  
6S 1 mA PRI TO SEC

**LED Specification**

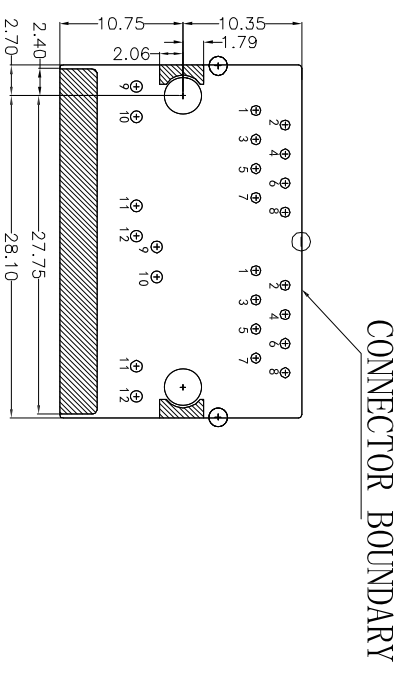
Standard LED Color	LED Wavelength	Forward (A)	Forward(V)
Green	568nm	20mA	1.85-2.45V
Yellow	585nm	20mA	1.7-2.2V

APPROVED:	DATE:	 深圳市灿科盟实业有限公司 CHANKLEMENT INDUSTRYCO., LTD
CHECKED:	DATE:	
DRAWN:	DATE:	TITLE: 千兆网口 RJ45-10P/8C TAB-DOWN 1X2 H=21.1 带灯 带弹 带滤波器 十字脚 PART. NO. R-RJ45R08P-D201 UNIT mm SCALE Free FILE NO. Ckmtw-RJ45-0268 REV. A0 KYD0
L. YAN	2020-12-11	

RECOMMENDED PANEL CUTOUT (REFERENCE ONLY) :



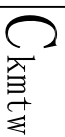
KEEP-OUT AREA (COMPONENT SIDE VIEW) :



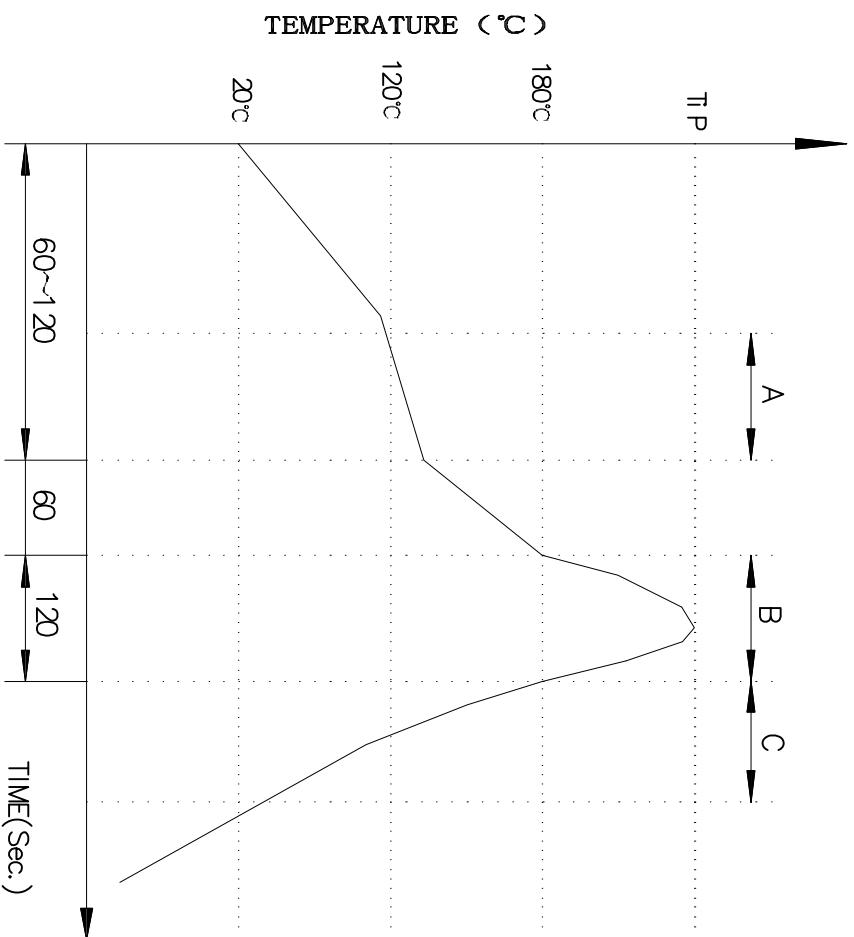
UNIT : MM / INCH  
 TOLERANCES :  $\pm 0.10$  /  $0.004$   
 REFERENCE ONLY

UNIT : MM / INCH  
 TOLERANCES :  $0.10$  /  $0.004$

PLUG-IN SIDE

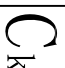
APPROVED:	DATE:	 深圳市灿科盟实业有限公司 CHANKLEMENT INDUSTRYCO., LTD			
CHECKED:	DATE:	TITLE: 百兆网口 RJ45-10P/8C TAB-DOWN 1X2 H=21.1 带灯 带弹 带滤波器 十字脚			
DRAWN:	DATE:	PART. NO.	R-RJ45R08P-D201		
L. YAN	2020-12-11	UNIT	mm	SCALE	Free
		FILE NO.	Ckmtw-RJ45-0268	REV.	A0 KYD0

# PROFILE OF WAVE SOLDER



A. Preheating B. Soldering C. Gradual Cooling  
 Tip temperature:  $260 \pm 5^{\circ}\text{C}$ .  
 Tip temperature time: 5 Sec Max  
 Tip melting point of Sn96.5/Ag3/Cu0.5:  $217^{\circ}\text{C}$ .

Remarks: after wave soldering, the plastic position columns of the product which under the PCB will be slightly melted, but it won't affect its function.

APPROVED:	DATE:	 深圳市灿科盟实业有限公司 CHANKLEMENT INDUSTRY CO., LTD			
CHECKED:	DATE:	TITLE: 百兆网口 RJ45-10P/8C TAB-DOWN 1X2 H=21.1 带灯 带弹 带滤波器 十字脚			
DRAWN:	DATE:	PART. NO.	UNIT	SCALE	REV.
L. YAN	2020-12-11	R-RJ45R08P-D201	mm	Free	A0 KYD0
		FILE NO.	SCALE	REV.	
		Ckmtw-RJ45-0268			