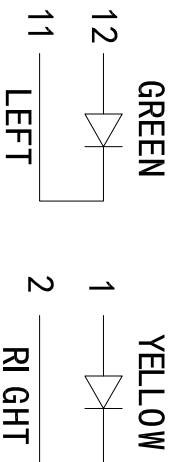
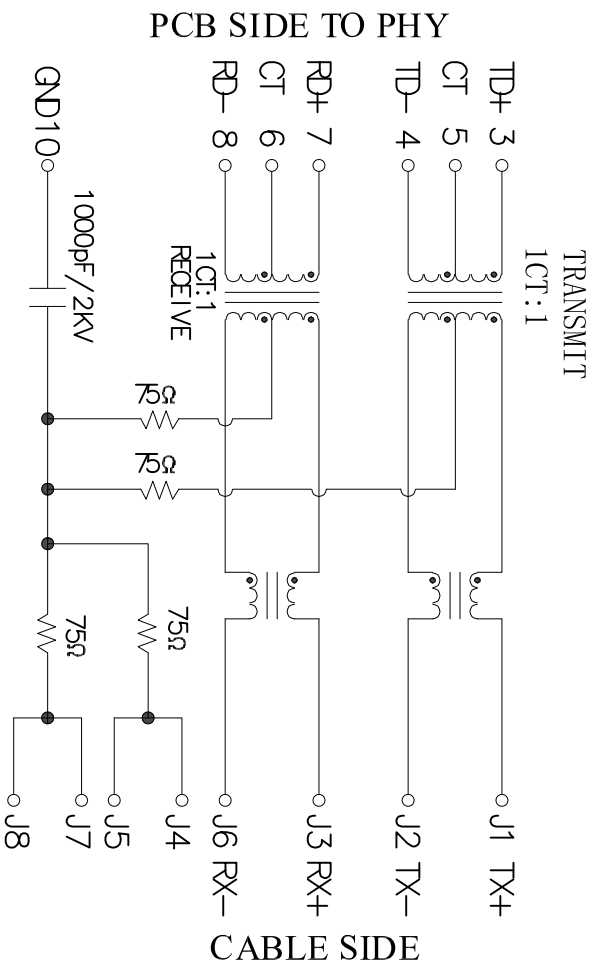


**MATERIAL:**  
 HOUSING: LCP, UL94V-0, BLACK.  
 TERMINALS BRACKET: LCP, UL94V-0, BLACK.  
 SHIELD: C2680, T=0.20MM, NICKEL PLATING ON ALL AREA.  
 TERMINAL: PHOSPHOR BRONZE C521 0, T=0.35MM,  
 6U" GOLD PLATING ON CONTACT AREA.

**MECHANICAL:**  
 DURABILITY: 750 CYCLES MIN.  
 MATING FORCE: 23N MAX.  
 OPERATING TEMPERATURE: -40°C~+85°C.  
 STORAGE TEMPERATURE: -40°C~+85°C.  
 ALL CRITICAL DIMENSIONS WITH "±"

APPROVED:	DATE:	深圳市灿科盟实业有限公司 CHANKLEMENT INDUSTRYCO., LTD			
CHECKED:	DATE:				
DRAWN:	DATE:	TITLE: 百兆网口 RJ45-10P/8C TAB-UP H=2.5, 4 卧贴面 带屏蔽 带灯 带弹 带变压器			
L. YAN	2020-08-10	PART. NO.	R-RJ45M08P-D001	UNIT	mm
		SCALE	Free	REV.	A0
		FILE NO.	Ckmtw-RJ45-0265	REV.	A0
					KYD0





### Electrical:

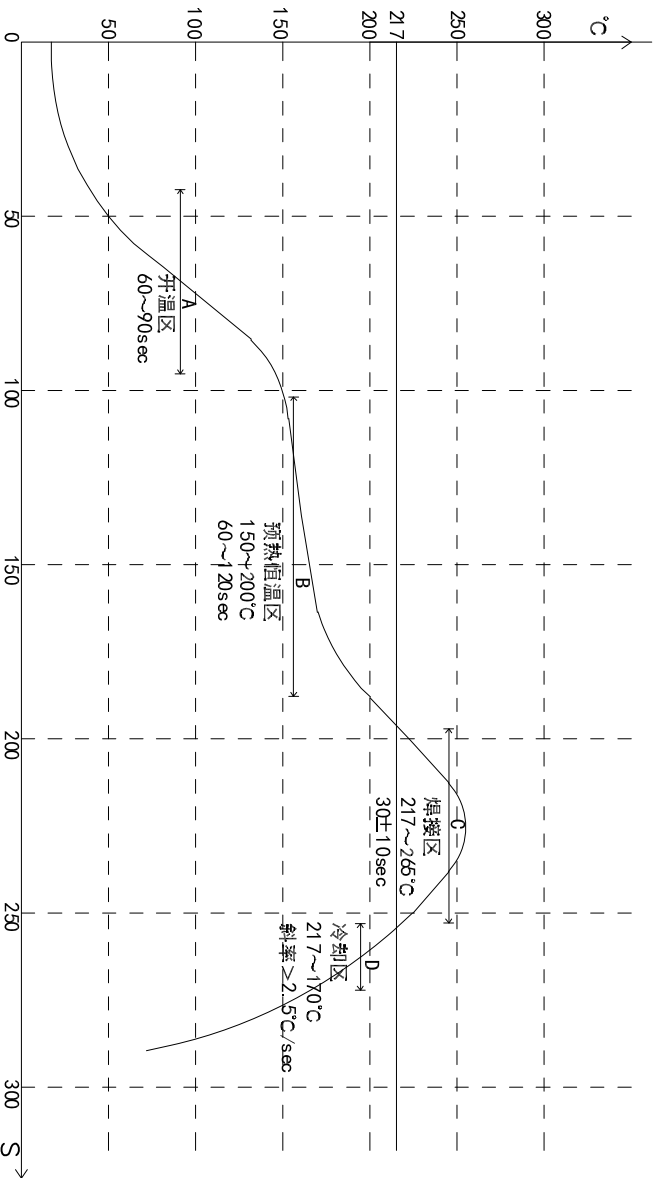
1. Turn ratio: 1~2: J1~J2=1CT:1CT(±2%), 5~6: J3~J6=1CT:1CT(±2%).
2. OCL: 350uH Min. at 100KHz 100mV 8mA DC.
3. Insertion Loss: -1.0 dB Max 1~100MHz.
4. Return loss: -20dB Min 1~10MHz;  
-16dB Min 10~30MHz;  
-12dB Min 30~60MHz;  
-10dB Min 60~80MHz.
5. Cross talk: -40dB Min 1~30MHz;  
-35dB Min 30~60MHz;  
-30dB Min 60~100MHz;
6. CMR: -30dB Min 1~100MHz;
7. Hi-Pot: 1500V AC & 2250V DC  
6S 1 mA PRI TO SEC

### LED Specification


Standard LED Color	LED Wavelength	Forward(A)	Forward(V)
Green	568nm	20mA	1.85-2.45V
Yellow	585nm	20mA	1.7-2.2V

APPROVED:	DATE:	深圳市灿科盟实业有限公司 CHANKLEMENT INDUSTRYCO., LTD								
CHECKED:	DATE:									
DRAWN:	DATE:	PART. NO.	R-RJ45M08P-D001	UNIT	mm	SCALE	Free	REV.	A0	KYD0
L. YAN	2020-08-10	FILE NO.	Ckmtw-RJ45-0265	TITLE: 百兆网口 RJ45-10P/8C TAB-UP H=2.5. 4 卧贴面 带屏蔽 带灯 带弹 带变压器						

# PROFILE OF REFLOW SOLDERING



- A. Temperature range of open
  - B. Preheat temperature zone
  - C. The welding zone
  - D. The cooling zone
- Tip temperature:  $265 \pm 5^{\circ}\text{C}$ .  
 Tip temperature time:  $30 \pm 10\text{Sec}$   
 Tip melting point of Sn96.5/Ag3/Cu0.5

APPROVED:	DATE:	 深圳市灿科盟实业有限公司 CHANKLEMENT INDUSTRYCO., LTD
CHECKED:	DATE:	
DRAWN:	DATE:	TITLE: 百兆网口 RJ45-10P/8C TAB-UP H=2.5, 4 卧贴面 带屏蔽 带灯 带弹 带变压器
L. YAN	2020-08-10	PART. NO. R-RJ45M08P-D001 UNIT mm SCALE Free FILE NO. Ckmtw-RJ45-0265 REV. A0 KYD0