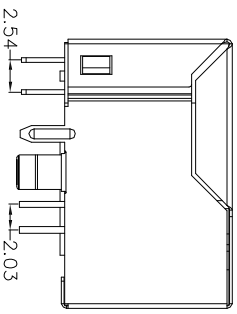
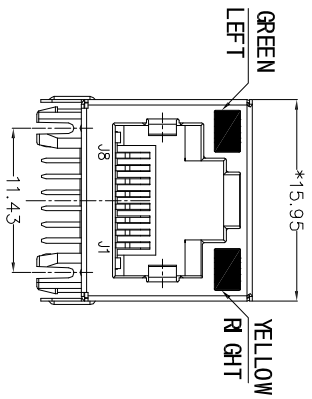


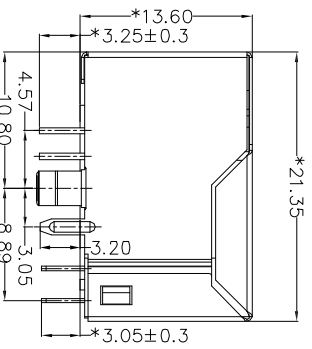
TOP VIEW



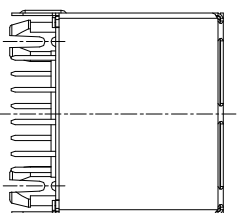
LEFT SIDE VIEW



FRONT VIEW



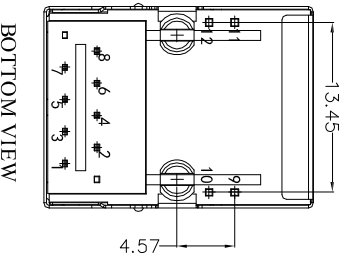
RIGHT SIDE VIEW



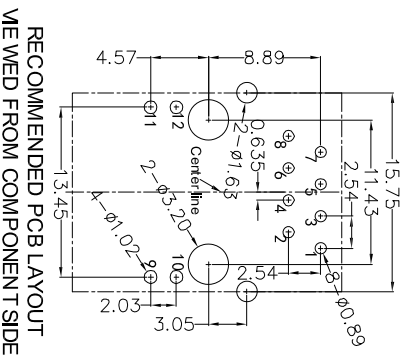
BACK VIEW

MATERIAL:
 HOUSING : PBT,UL94V-0,BLACK.
 TERMINALS BRACKET: PBT,UL94V-0,BLACK.
 SHIELD: C2680,T=0.20MM,NICKEL PLATING ON ALL AREA.
 TERMINAL: PHOSPHOR BRONZE C521 0,T=0.35MM,
 6U" GOLD PLATING ON CONTACT AREA.

MECHANICAL:
 DURABILITY : 750 CYCLES MIN
 MATING FORCE : 23N MAX
 OPERATING TEMPERATURE: -40°C~+85°C.
 STORAGE TEMPERATURE: -40°C~+85°C.
 ALL CRITICAL DIMENSIONS WITH "**"



BOTTOM VIEW



APPROVED: DATE:

CHECKED: DATE:

DRAWN: DATE:

L. YAN 2020-08-17

深圳市灿科盟实业有限公司
 CHANKLEMENT INDUSTRYCO., LTD

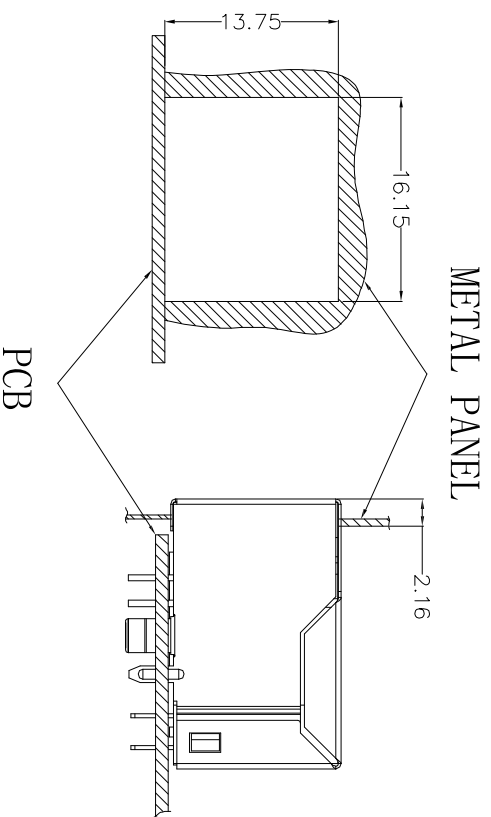
TITLE: 百兆网口

RJ45-10P/8C TAN-UP H=21.35 带灯 无弹 带滤波器 十字脚

PART. NO. R-RJ45R08P-D006

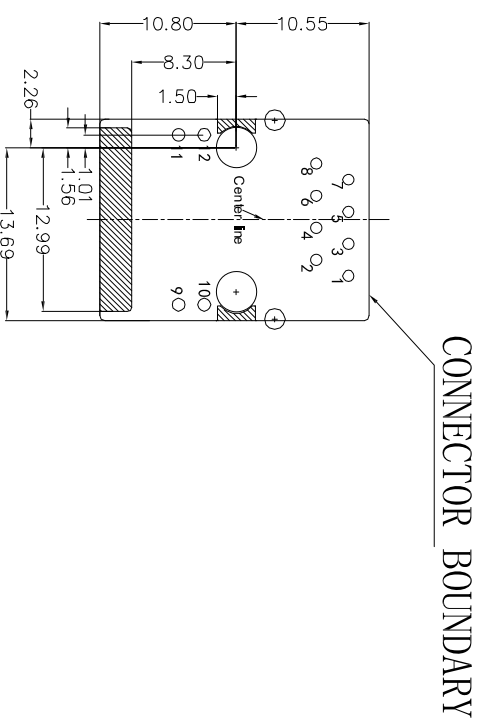
UNIT	mm	SCALE	Free	REV.	A0
FILE NO.	Ckmtw-RJ45-0263			KYD0	

RECOMMENDED PANEL CUTOUT (REFERENCE ONLY) :



UNIT : MM / INCH
 TOLERANCES : ± 0.10 / 0.004
 REFERENCE ONLY

KEEP-OUT AREA (COMPONENT SIDE VIEW) :

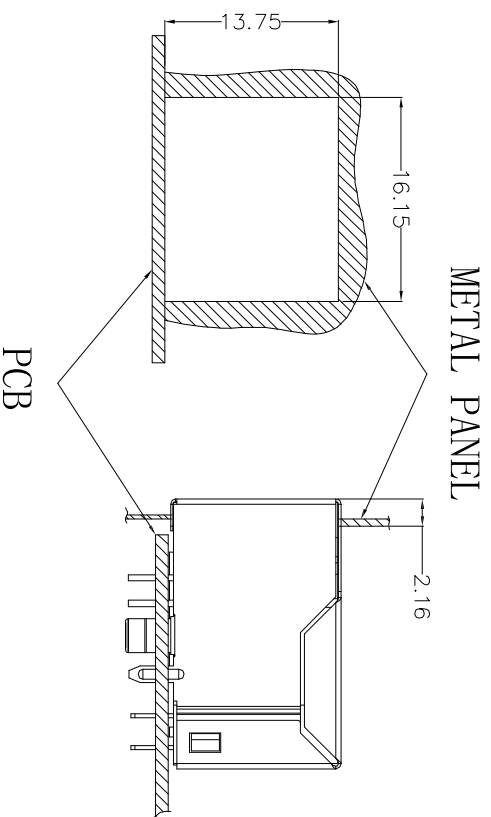


PLUG-IN SIDE

UNIT : MM / INCH
 TOLERANCES : ± 0.10 / 0.004

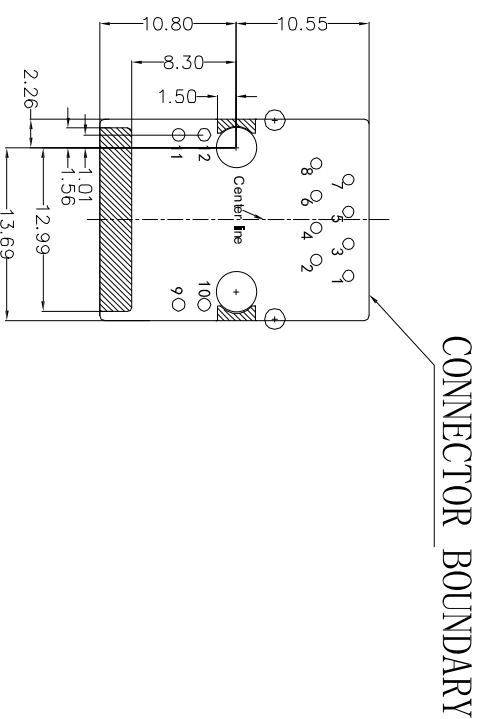
APPROVED:	DATE:	深圳市灿科盟实业有限公司 CHANKLEMENT INDUSTRYCO., LTD			
CHECKED:	DATE:	TITLE: 百兆网口			
DRAWN:	DATE:	RJ45-10P/8C TAN-UP H=21.35 带灯 无弹 带滤波器 十字脚			
L. YAN	2020-08-17	PART. NO.	R-RJ45R08P-D006	UNIT	mm
		SCALE	Free	REV.	A0 KYD0
		FILE NO.	Ckmtw-RJ45-0263		

RECOMMENDED PANEL CUTOUT (REFERENCE ONLY) :



UNIT : MM / INCH
 TOLERANCES : ± 0.10 / 0.004
 REFERENCE ONLY

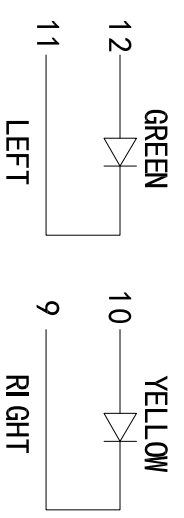
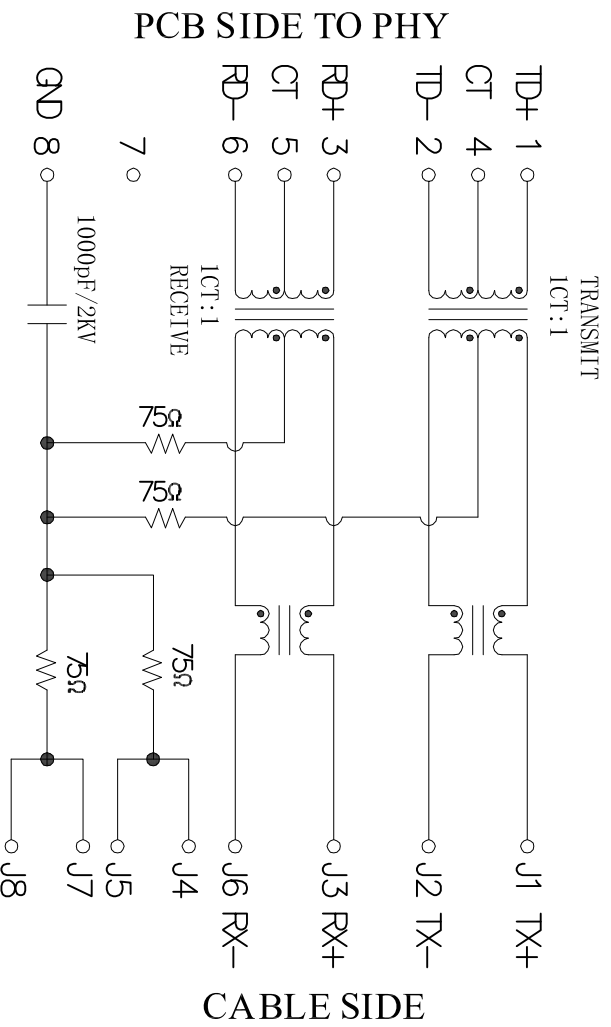
KEEP-OUT AREA (COMPONENT SIDE VIEW) :



UNIT : MM / INCH
 TOLERANCES : ± 0.10 / 0.004

PLUG-IN SIDE

APPROVED:	DATE:	深圳市灿科盟实业有限公司 Ckmtw CHANKLEMENT INDUSTRYCO., LTD			
CHECKED:	DATE:	TITLE: 百兆网口			
DRAWN:	DATE:	RJ45-10P/8C TAN-UP H=21.35 带灯 无弹 带滤波器 十字脚			
L. YAN	2020-08-17	PART. NO.	R-RJ45R08P-D006	UNIT	mm
		SCALE	Free	REV.	A0 KYD0
		FILE NO.	Ckmtw-RJ45-0263		



Electrical:

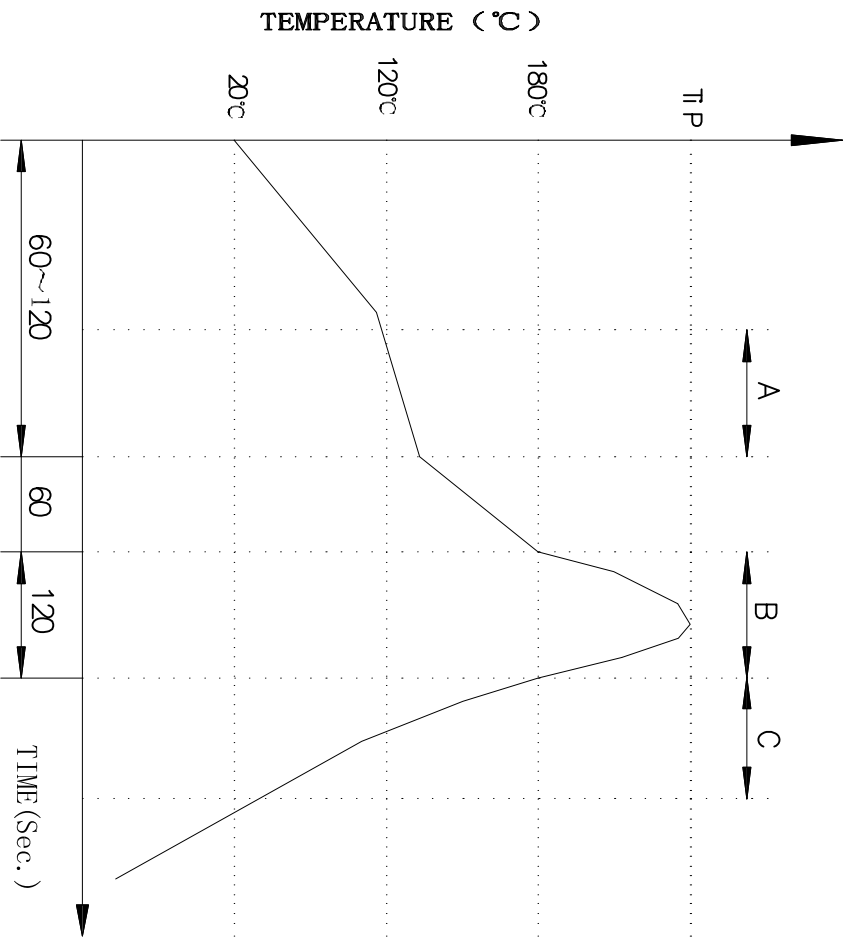
1. Turn ratio: 1~2: J1 ~ J2=1 CT: 1 CT (±2%), 3~6: J3~J6=1 CT: 1 CT (±2%).
2. OCL: 350uH Min at 100KHz 100mV 8mA D
3. Insertion Loss: -1.0 dB Max 1~100MHz.
4. Return loss: -20dB Min 1~10MHz, -16dB Min 10~30MHz, -12dB Min 30~60MHz, -10dB Min 60~80MHz.
5. Cross talk: -40dB Min 1~30MHz, -35dB Min 30~60MHz, -30dB Min 60~100MHz;
6. CMR: -30dB Min 1~100MHz;
7. Hi-Pot: 1500V AC & 2250V DC 6S 1mA PRI TO SEC

LED Specification

Standard LED Color	LED Wavelength	Forward(A)	Forward(V)
Green	568nm	20mA	1.85-2.45V
Yellow	585nm	20mA	1.7-2.2V

APPROVED:	DATE:	深圳市灿科盟实业有限公司 CHANKLEMENT INDUSTRYCO., LTD			
CHECKED:	DATE:	TITLE: 百米网口			
DRAWN:	DATE:	RJ45-10P/8C TAN-UP H=21.35 带灯 无弹 带滤波器 十字脚			
L. YAN	2020-08-17	PART. NO.	R-RJ45R08P-D006	UNIT	mm
		SCALE	Free	REV.	A0
		FILE NO.	Ckmtw-RJ45-0263	REV.	KYD0

PROFILE OF WAVE SOLDER



A.Preheating B.Soldering C.Gradual Cooling
 Tip temperature:260±5°C.
 Tip temperature time:5Sec Max
 Tip melting point of Sn96.5/Ag3/Cu0.5:217°C.

Remarks: after wave soldering, the plastic position columns of the product which under the PCB will be slightly melted, but it won't affect its function.

APPROVED:	DATE:	Ckmtw 深圳市灿科盟实业有限公司 CHANKLEMENT INDUSTRYCO., LTD								
CHECKED:	DATE:									
DRAWN:	DATE:	TITLE: 百兆网口 RJ45-10P/8C TAB-UP H=21.35 带灯 无弹 带滤波器 十字脚								
L. YAN	2020-08-17	PART. NO.	R-RJ45R08P-D006	UNIT	mm	SCALE	Free	REV.	A0	KYD0
		FILE NO.	Ckmtw-RJ45-0263							