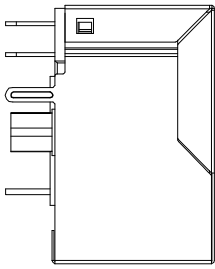
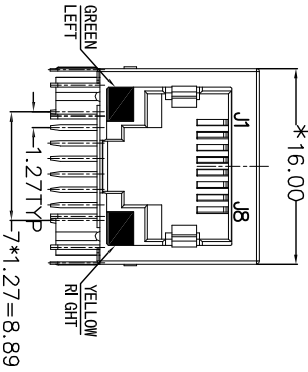


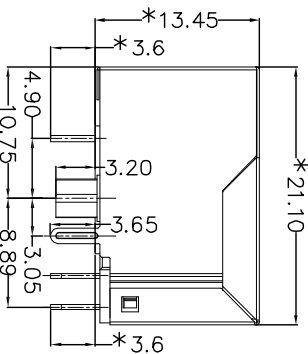
TOP VIEW



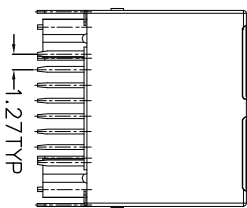
LEFT SIDE VIEW



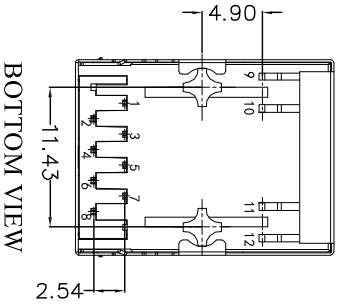
FRONT VIEW



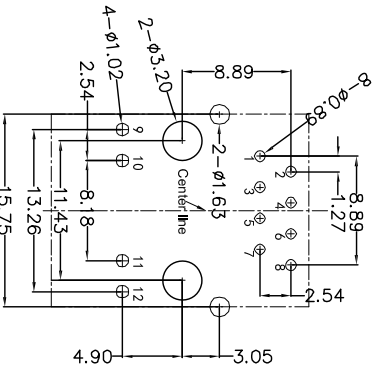
RIGHT SIDE VIEW



BACK VIEW



BOTTOM VIEW



RECOMMENDED PCB LAYOUT  
VIEWED FROM COMPONENT SIDE

**MATERIAL:**

HOUSING: PBT, UL94V-0, BLACK.  
 TERMINALS BRACKET: PBT, UL94V-0, BLACK.  
 SHIELD: C2680, T=0.20MM, NICKEL PLATING ON ALL ARE.  
 TERMINAL: PHOSPHOR BRONZE C5210, T=0.35MM,  
 6U" GOLD PLATING ON CONTACT AREA.

**MECHANICAL:**

DURABILITY: 750 CYCLES MIN.  
 MATING FORCE: 23N MAX.  
 OPERATING TEMPERATURE: -40°C~+85°C.  
 STORAGE TEMPERATURE: -40°C~+85°C.  
 ALL CRITICAL DIMENSIONS WITH "±\*"

**TOLERANCE TABLE**

.0	±0.30
.00	±0.20
.000	±0.05

APPROVED:

DATE:

CHECKED:

DATE:

DRAWN:

DATE:

L. YUN

2020-07-12

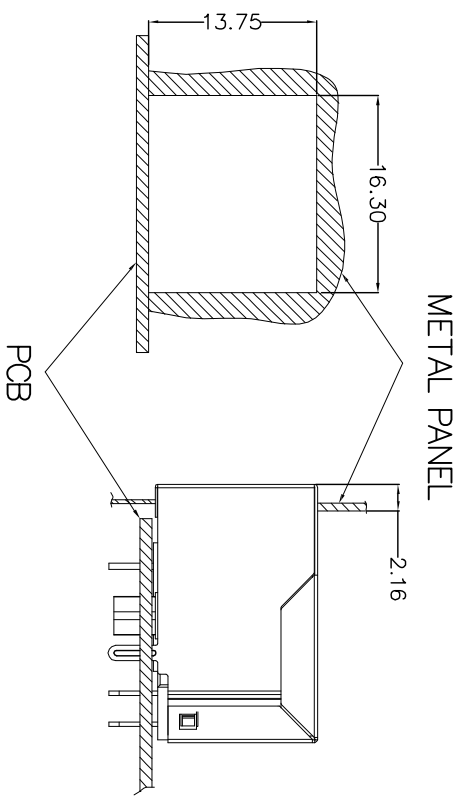
深圳市灿科盟实业有限公司  
 CHANKLEMENT INDUSTRYCO., LTD

TITLE: 百兆网口 RJ45-10P/8C TAB-Down  
 H=21.1 带灯 无弹 带滤波器 十字脚

PART. NO. R-RJ45R08P-D004

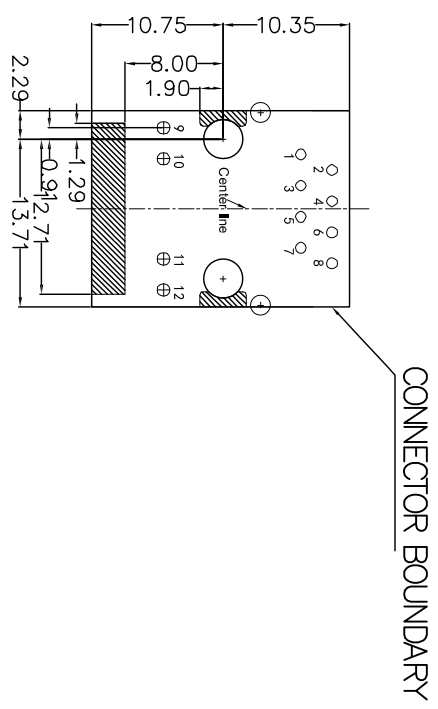
UNIT	mm	SCALE	Free	REV.	A
FILE NO.	Ckmtw-RJ45-0225	REV.	A	KYD01	1/4

RECOMMENDED PANEL CUTOUT(REFERENCE ONLY):



UNIT: MM / INCH  
 TOLERANCES: ±0.10 / 0.004  
 REFERENCE ONLY

KEEP-OUT AREA(COMPONENT SIDE VIEW):

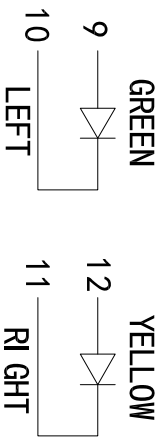
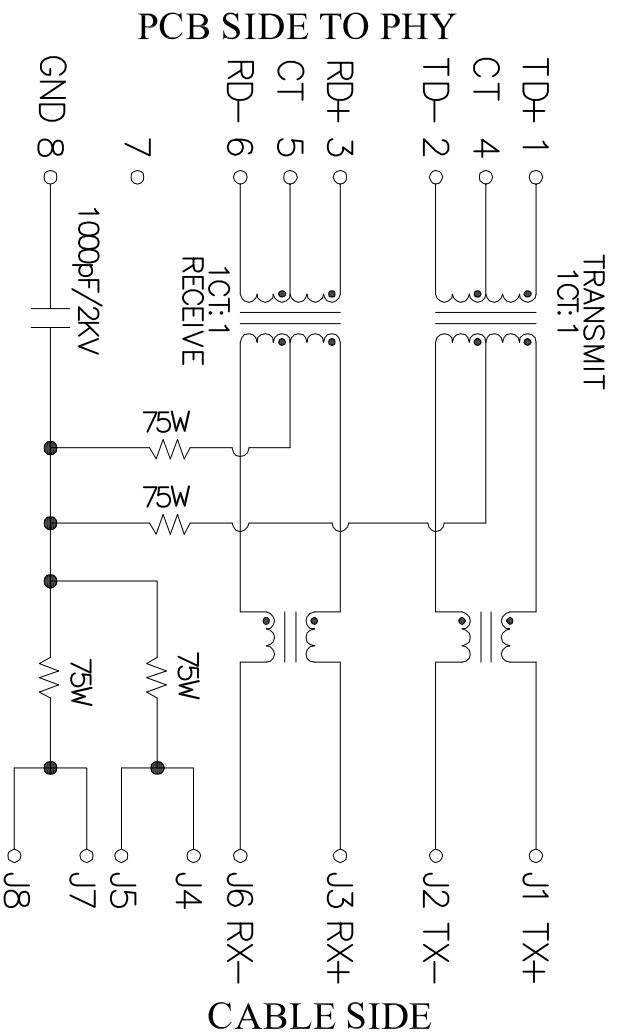


UNIT: MM / INCH  
 TOLERANCES: ±0.10 / 0.004

TOLERANCE TABLE

.0	±0.30
.00	±0.20
.000	±0.05

APPROVED:	DATE:	深圳市灿科盟实业有限公司 CHANKLEMENT INDUSTRYCO., LTD
CHECKED:	DATE:	
DRAWN:	DATE:	TITLE: 千兆网口 RJ45-10P/8C TAB-Down H=21.1 带灯 无弹 带滤波器 十字脚
L. YUN	2020-07-12	PART. NO. R-RJ45R08P-D004 UNIT mm SCALE Free FILE NO. Ckmtw-RJ45-0225 REV. A KYD02/4



**Electrical:**

1. Turn ratio:1~2:J1~J2=1CT:1CT(±2%).  
3~6:J3~J6=1CT:1CT(±2%).
2. OCL:350uH Min.at 100KHz 100mV 8mA DC.
3. Insertion Loss: -1.0 dB Max 1~100MHz.
4. Return loss: -20dB Min 1~10MHz;  
-16dB Min 10~30MHz;  
-12dB Min 30~60MHz;  
-10dB Min 60~80MHz.
5. Cross talk: -40dB Min 1~30MHz;  
-35dB Min 30~60MHz;  
-30dB Min 60~100MHz;
6. CMR: -30dB Min 1~100MHz;
7. Hi-Pot:1500V AC & 2250V DC  
6S 1mA PRI TO SEC

**LED Specification**

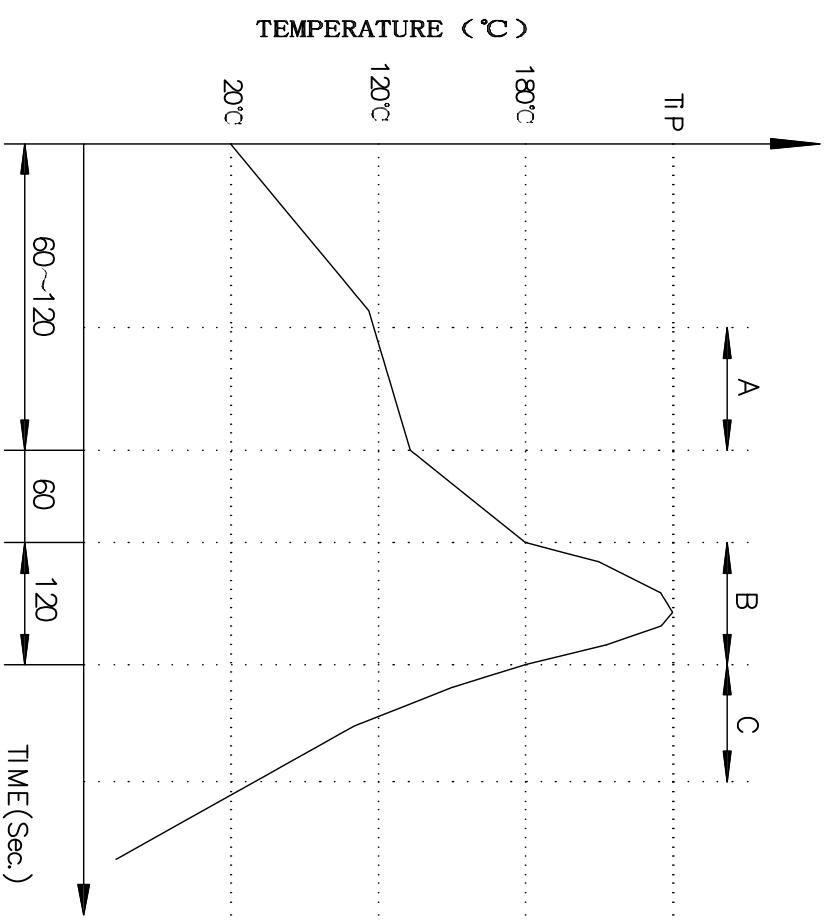
Standard LED Color	LED Wavelength	Forward(A)	Forward(V)
Green	568nm	20mA	1.85-2.45V
Yellow	585nm	20mA	1.7-2.2V

**TOLERANCE TABLE**

.0	±0.30
.00	±0.20
.000	±0.05

APPROVED:	DATE:	<p>深圳市灿科盟实业有限公司 CHANKLEMENT INDUSTRYCO., LTD</p>
CHECKED:	DATE:	
DRAWN:	DATE:	TITLE: 千兆网口 RJ45-10P/8C TAB-Down H=21.1 带灯 无弹 带滤波器 十字脚 PART. NO. R-RJ45R08P-D004 UNIT mm SCALE Free FILE NO. Ckmtw-RJ45-0225 REV. A KYD03/4
L. YUN	2020-07-12	

# PROFILE OF WAVE SOLDER



A. Preheating B. Soldering C. Gradual Cooling  
 Tip temperature: 260±5°C.  
 Tip temperature time: 5Sec Max.  
 Tip melting point of Sn96.5/Ag3/Cu0.5: 217°C.

Remarks: after wave soldering, the plastic position columns of the product which under the PCB will be slightly melted, but it won't affect its function.

### TOLERANCE TABLE

.0	±0.30
.00	±0.20
.000	±0.05

APPROVED:	DATE:	<b>C</b> 深圳市灿科盟实业有限公司 kmtyw CHANKLEMENT INDUSTRYCO., LTD
CHECKED:	DATE:	
DRAWN:	DATE:	TITLE: 百米网口 RJ45-10P/8C TAB-Down H=21.1 带灯 无弹 带滤波器 十字脚 PART. NO. R-RJ45R08P-D004 UNIT mm SCALE Free FILE NO. Ckmtw-RJ45-0225 REV. A KYD04/4
L. YUN	2020-07-12	