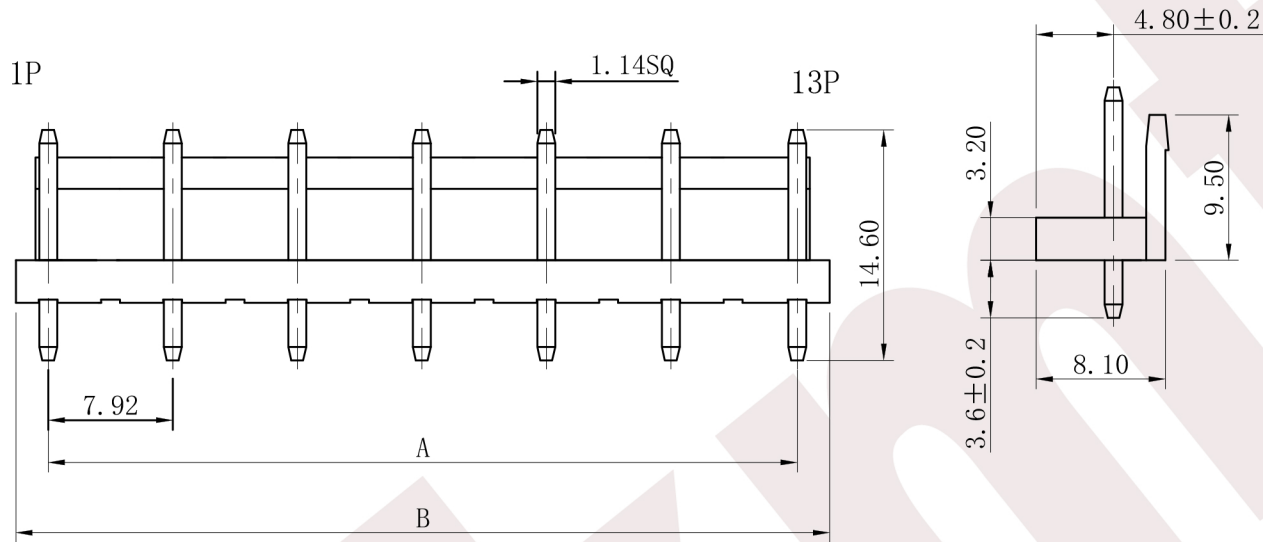


SPECIFICATION

Current rating: 5A AC/DC
 Voltage rating: 250V AC/DC
 Contact resistance: 20m Ω max.
 Withstand voltage: 1500V AC/min.
 Insulation resistance: 1000M Ω/min.
 Temperature range: -25℃~+85℃

Material:

Post: Brass. Tin/plated
 Base: Nylon66 UL94V-0



Poles	Dimension (mm)	
	A	B
2	3.96	7.92
3	7.92	11.88
4	11.88	15.84
5	15.84	19.80
6	19.80	23.76
7	23.76	27.72
8	27.72	31.68
9	31.68	35.64
10	35.64	39.60
11	39.60	43.56
12	43.56	47.52
13	47.52	51.48

注:空2. 4. 6. 8. 10. 12P

TOLERANCE TABLE	
.0	±0.20
.00	±0.10
.000	±0.05

APPROVED:	DATE:	Ckmtw 深圳市灿科盟实业有限公司 CHANKEMENG INDUSTRYCO., LTD			
CHECKED:	DATE:	TITLE: 3962S-13P 空2 4 6 8 10 12Pin			
DRAWN: YAN	DATE: 2008-04-07	CLIENT P/N			
		UNIT	mm	SCALE	free
		FILE NO.	S007200307	REV.	A WDOO